

ITEM	SPEC	SAMPLE									
		1	2	3	4	5	6	7	8	9	10
Primary Exciting Current Input 120VAC, 60 Hz	75 mA max	42	37	38							
Primary Load Current Input 120VAC, 60 Hz	120 mA max	100	96	97							
Secondary No Load DC Voltage	16.8V ±5%	16.67	16.68	16.69							
Secondary DC Voltage Load 500 mA	12V ±5%	12.1	12.09	12.12							
Secondary Voltage Load mA	V ± %										
Secondary Voltage Load mA	V ± %										
Secondary Voltage Load mA	V ± %										
Secondary Voltage Load mA	V ± %										
Ripple Voltage Load 500 mA (PK-PK)	3V max	2.1	2.1	2.1							
Hi-Pot Test 3 mA for 3Sec.	Pri. to Sec.	2K VAC	OK	OK	OK						
	Pri. to Core	2K VAC	OK	OK	OK						
	Sec. to Core	1.5K VAC	OK	OK	OK						

Temperature Rise: 70°C MAX measured By Resistance Method (Primry Winding)

Core Film: SPLIT

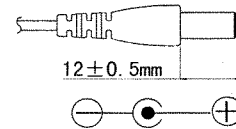
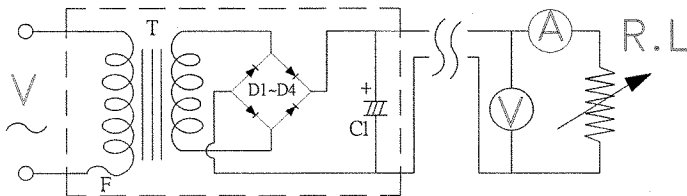
Core : EI-35

Testing Circuit:

1000uF/25V

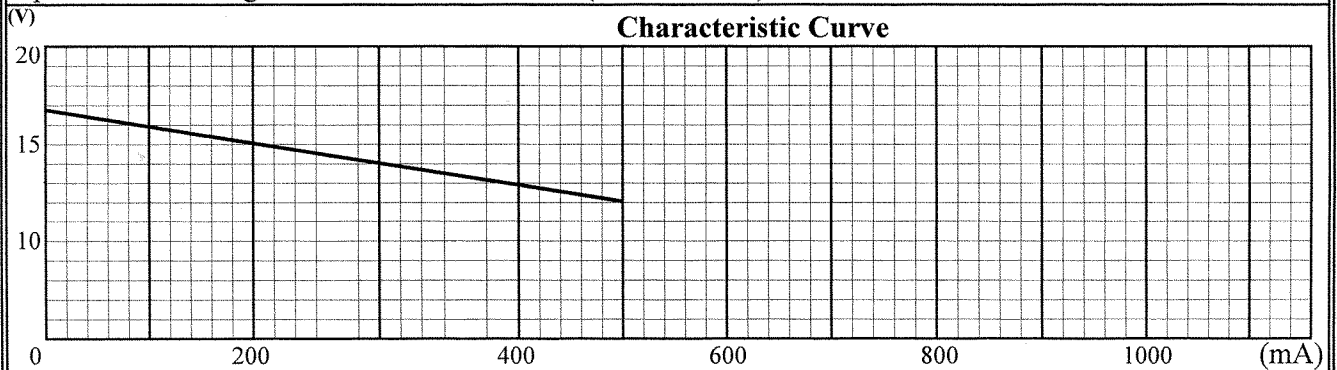
Output Plug Drawing:

PLUG:5.5*2.1mm



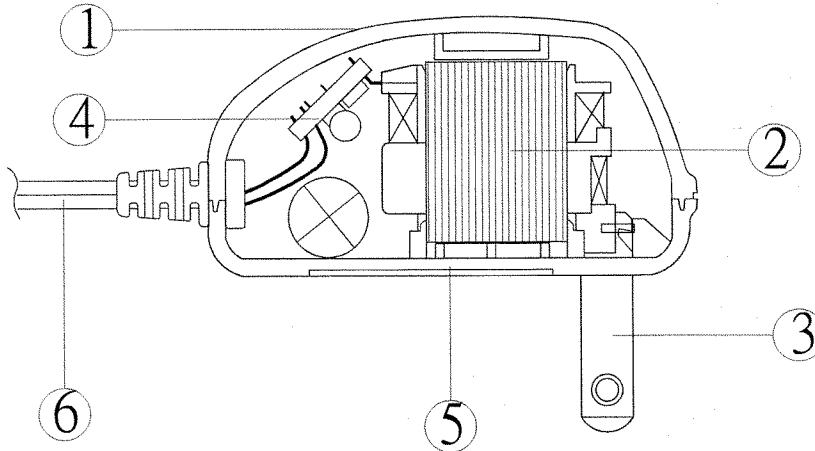
Output conductor length: 6FT min (AWG#22)

Input conductor length: ft min (AWG#)



AC Adaptor Specifications

Internal Construction Drawing and Parts List (Unit: Set or EA)

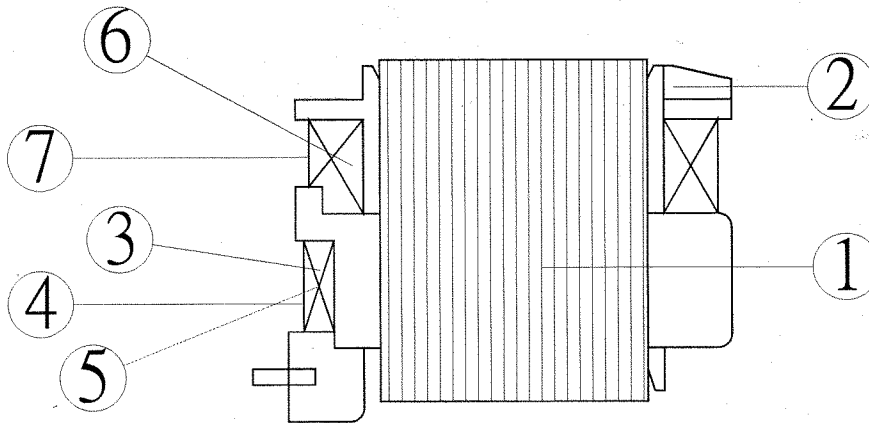


Part Name	Specification
1. Enclosure	Noryl SE1 94V-1 105°C
	Noryl SE-100 94V-1 85°C
	Noryl PX1700 94V-1 95°C
	940(f1) 94V-0 130°C
	5172
2. Transformer	EI-35
3. Blade	Ni plated brass
4. Print Wiring Board Assembly	
Print Board	04V0 94V-0 130°C
	11 94V-0 105°C
	13 94V-0 130°C
	BF-3 94V-0 130°C
Diode	1A 400-700V IN4004-IN4007
Capacitor	1000uf 25V 85°C
5. Name Plate	Polyester Film
6. Output Cord	AWG# 22 6FT min



AC Adaptor Specifications

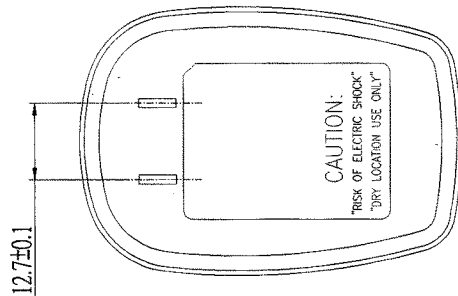
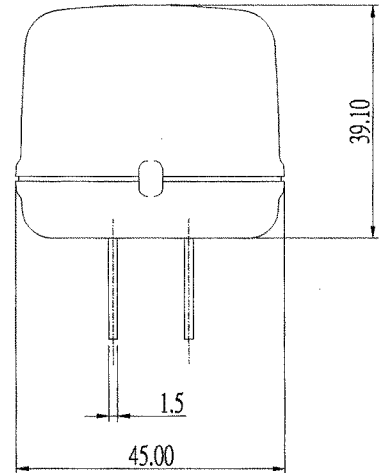
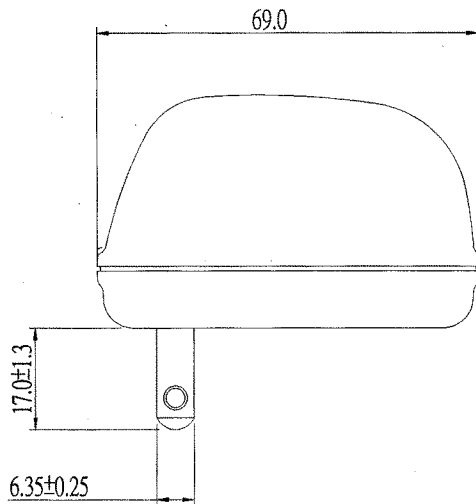
Construction Drawing and Details of Transformer



Part Name	Material & Type	Spec or Q'ty
1. Core	Silicon Steel	0.5mm
2. Bobbin	Polybutylene Terephthalate	0.71mm
	1403G6	
	PETP(QMFZ2)	
	FR-530, FR530L	
	Nylon 101L	
3. Primary Winding	Polyurethane Enameled	mm
	Copper wire	turn ohm
4. Primary Outer Winding	Mylar Tape	0.025mmx2T
5. Thermal Fuse	M30 2A 125°C 250V AC	1PC
6. Secondary Winding	Polyurethane Enameled	mm
	Copper Wire	turn
7. Secondary Outer Winding	Mylar Tape	0.025mmx2T

AC Adaptor Specifications

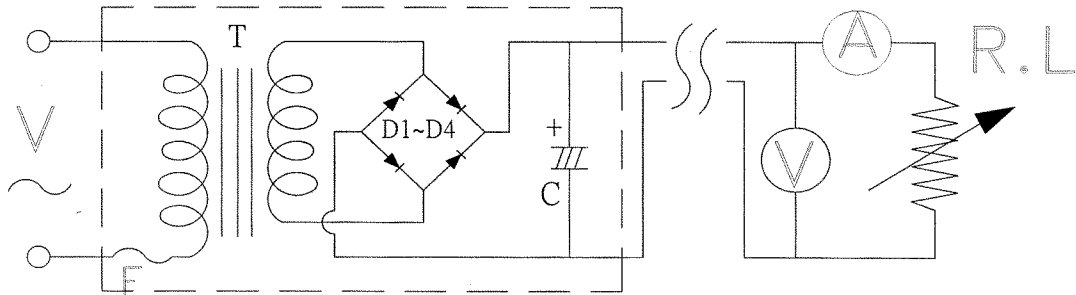
Appearance Drawing (Unit:mm)





AC Adaptor Specifications

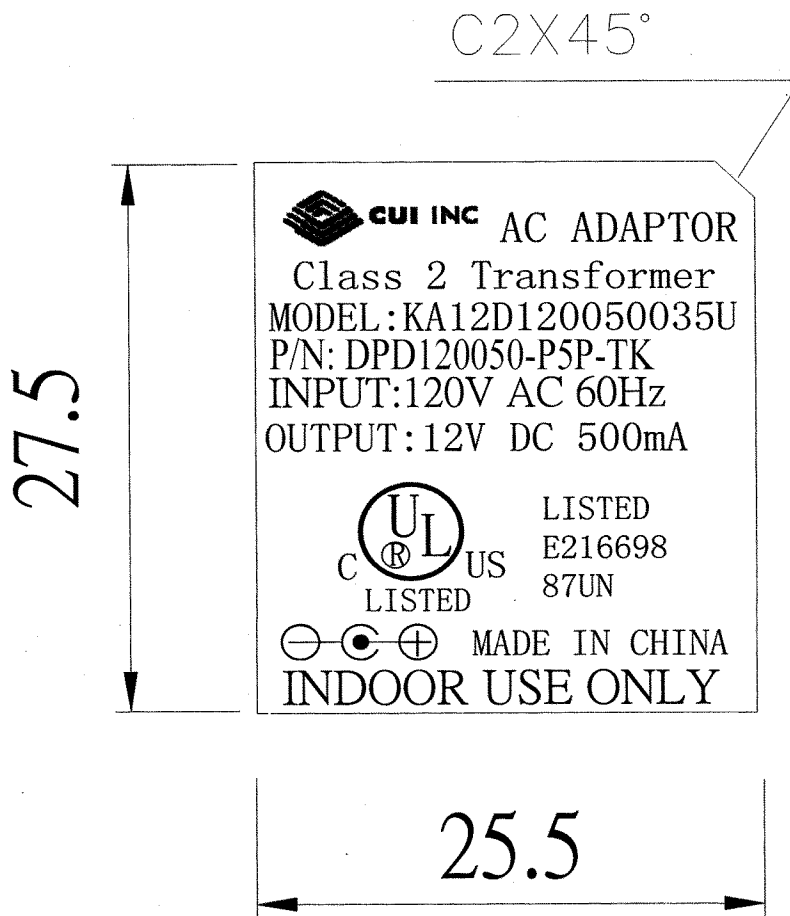
Circuit Diagram



Symbol	Part Name	Note
T	Transformer	EI-35
D(1~4)	Diode	1A 400-700V IN4004-IN4007
F	Thermal	125°C 2A 250V
C	Capacitor	1000uF 25V 85°C

AC Adaptor Specifications

Dimension of Nameplate (Unit:mm)



Material: Polyester Film

T: 0.25mm